

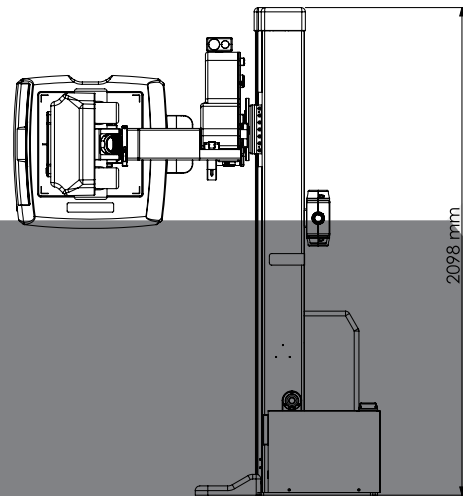
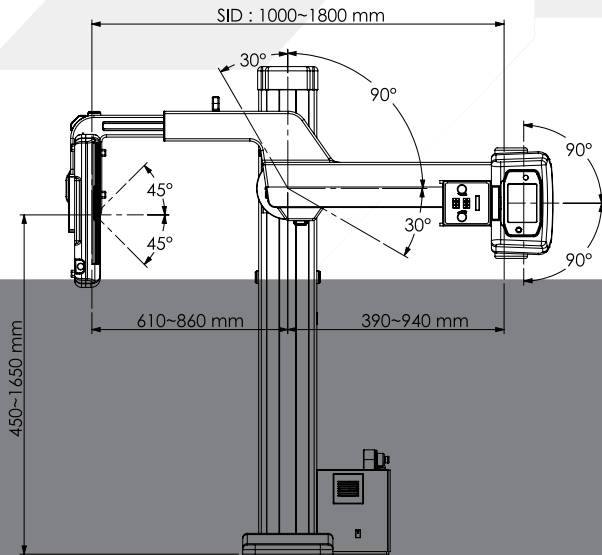
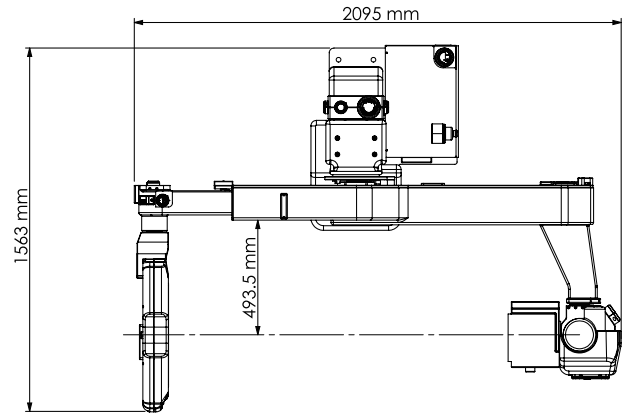
# RU-3000

Digital Radiography U-arm System



- Compact U-arm design with dual telescoping arm permits installation in settings with an 8 ft. ceiling height
- Programmable auto-positioning for user-specific radiographic exams
- Intuitive tube side touch-screen or remote control operation
- Fully motorized movements for SID, arm rotation, height, and detector angle
- High quality 17x17 inch Rayence cesium detector and Rayence XmaruView workstation
- Durable bucky design with an easily removable grid
- Patient safety anti-collision sensors
- Available mobile table

# RU-3000 Specifications



The RU-3000 is available with a wide variety of X-ray generators and tubes. It is intended to be used in a stationary diagnostic X-ray configuration.

Voltage: 120 V ~ 50/60 Hz +/- 10%      220-240 V ~ 50/60 Hz +/- 10%

Current: 4 amps @ 120 VAC or 2 amps @ 220-240 VAC

Frequency: 50/60 Hz, Single Phase

Maximum Power Line: 3#16 AWG

Class 1

Temperature Limits: 10°C ~ 40°C

Humidity Limits: 30 ~ 70%

Pressure Limits: 70,0 kPa ~ 106,0 kPa

distributed by



518-885-3254  
www.calicomedical.com



follow us



Rayence Inc.  
2200 Fletcher Ave. St. 705B Fort Lee, NJ 07024  
Office: (1)201-585-0290 Fax: (1)201-585-0293  
Email: information@rayenceusa.com  
www.rayenceusa.com

04.15.RU3000.V1