

PORTABLE X-RAY SYSTEM

LIGHT WEIGHT, COMPACT & POWERFUL

Value
Plus+
by **TXR**

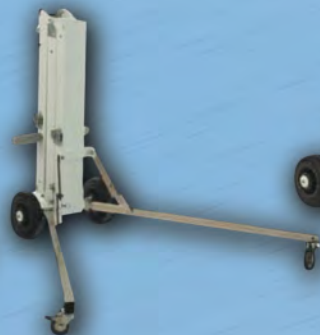


SPL-HF-4.0/8.0

4 or 8 kW HF Generator



HF 300 kHz Operates on Single Phase Power
Two Point Operation, kVp and mAs Selection



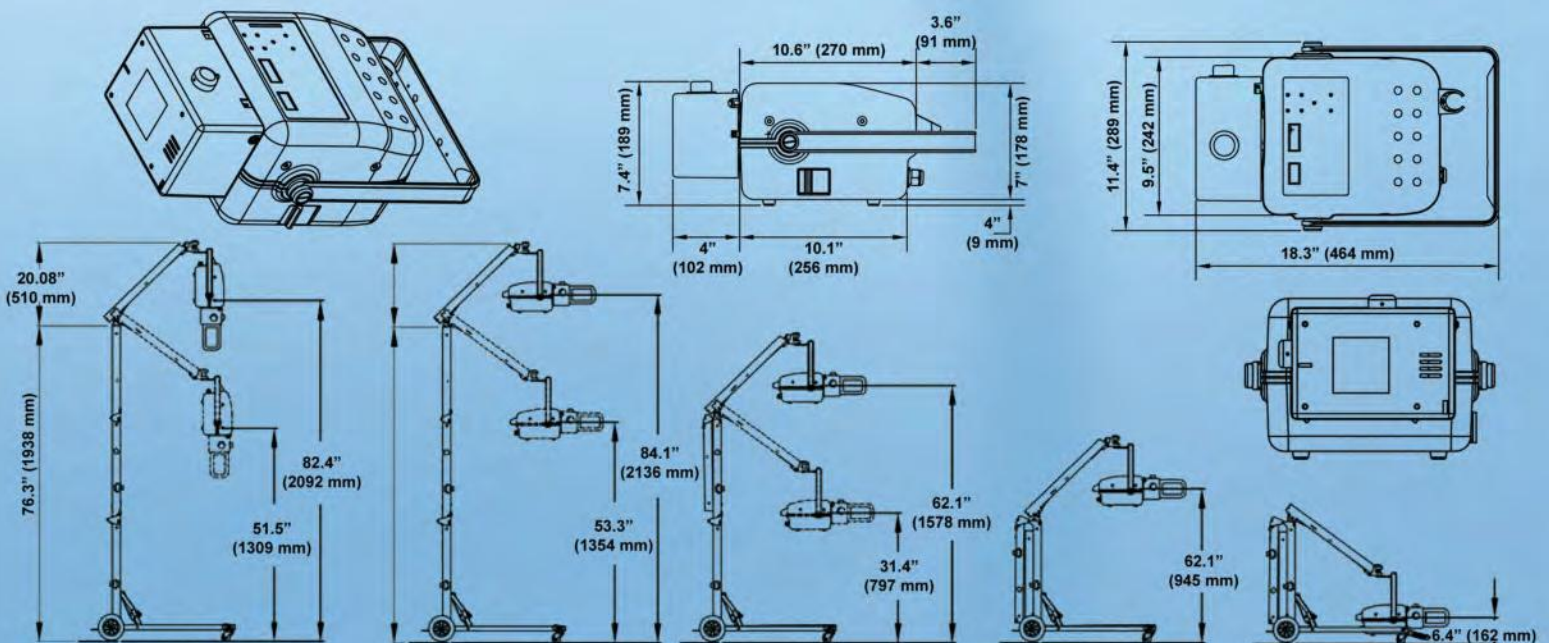
Optional Portable Folding
Stand and Carrying Case



PORTABLE X-RAY SYSTEM

| SPECIFICATIONS | HIGH FREQUENCY X-RAY GENERATORS |
|--|--|
| MODELS | SPL-HF-4.0 / SPL-HF-8.0 |
| kW RATING | 4.0 / 8.0 |
| kVp RANGE in 1 kVp STEPS accuracy | 40 to 125 +/- 5% |
| HIGH FREQUENCY RIPPLE | 300 kHz |
| mA STATIONS | 5, 6.4, 8, 10, 12.5, 16, 20, 25, 32, 40, 50, 64, 80, 100 |
| EXPOSURE TIME RANGE | 0.001 - 10 seconds |
| NUMBER OF STATIONS | 41 (in 25% steps) |
| mAs RANGE | 0.1 - 250 mAs |
| NUMBER OF STATIONS accuracy | 34 (in 25% steps) 5% |
| OPTIONAL APR | 1 Region |
| X-RAY TUBE Stationary Anode TWO Focal Spots Anode Heat Storage Capacity Target Angle | 0.6 mm - 1.5 mm / 0.6 mm - 2.8 mm 40.000 HU / 76.000 HU 14° / 14° |
| LASER LIGHT COLLIMATOR | OPTIONAL |
| POWER CORD | 19.7 ft. (6 meters) |
| EXPOSURE CORD | 9.8 ft. (3 meters) |
| LINE REGULATION | Single-Phase Line Automatic Regulation AUTOMATIC OUTPUT POWER ADAPTATION TO POWER LINE CONDITIONS |
| LINE POWER REQUIREMENTS +/- 10% VAC (50/60Hz) | 110VAC, 35 amps / 220VAC, 20 amps for full power – Can be de-rated |
| WEIGHT | Portable Generator 33 lbs. (15 Kg) · Portable, Folding Stand 61.7 lbs (28 Kg) |

DIMENSIONS



DISTRIBUTED BY:

